

# 300 Series Custom Panel Dishwasher

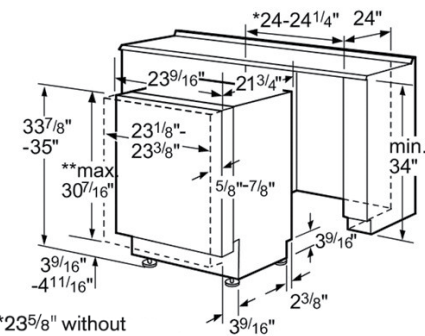
Model shown: SHV43P13UC



	SHV43P13UC
<b>Appearance</b>	<ul style="list-style-type: none"> <li>- Stainless Steel TallTub</li> <li>- Four Wash Cycles and One Option</li> </ul>
<b>Quietness</b>	<ul style="list-style-type: none"> <li>- Virtually Silent: 50 dBA</li> <li>- Solid Base Contains Sound and Prevents Leaks</li> </ul>
<b>Efficiency</b>	<ul style="list-style-type: none"> <li>- 259 kWh/yr-ENERGY STAR® Qualified</li> <li>- Uses Only 2.86 Gallons of Water per Load</li> <li>- Exceeds ENERGY STAR Requirements by 26% for Energy and 103% for Water</li> <li>- EcoSense™ Reduces Energy Usage up to 20%</li> <li>- Half-load Option for Small Loads</li> </ul>
<b>Safety</b>	<ul style="list-style-type: none"> <li>- AquaStop® Leak Protection</li> <li>- NSF-certified-Eliminates 99.9% of Bacteria</li> </ul>
<b>Capacity</b>	<ul style="list-style-type: none"> <li>- 14 Place Setting Capacity</li> <li>- 300 Series Racks with Flexible Silverware Basket</li> <li>- Manual Height Adjustment Upper Rack</li> </ul>
<b>Convenience</b>	<ul style="list-style-type: none"> <li>- Quick Wash-In 30 Minutes or Less</li> </ul>

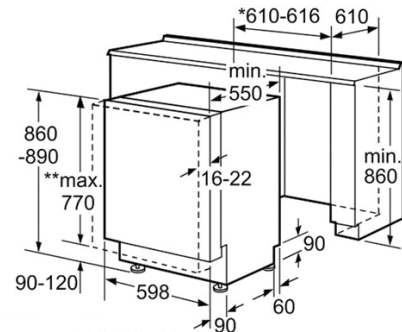
## Dishwasher dimensions

Measurements in inches



\*23 5/8" without decor strips.  
 \*\*Measured from the lower edge of the worktop. Recommended panel thickness 3/4". Panel weight 9-18 lb.

Measurements in mm



\*600 mm without decor strips.  
 \*\*Measured from the lower edge of the worktop. Recommended panel thickness = 19 mm. Panel weight 4-8 kg.

# 18" Dishwashers – a convenient slim design.

18" dishwashers offer powerful dish cleaning convenience in spite of space constraints. Perfect for bars, butlers pantries or even as a second dishwasher in the kitchen.

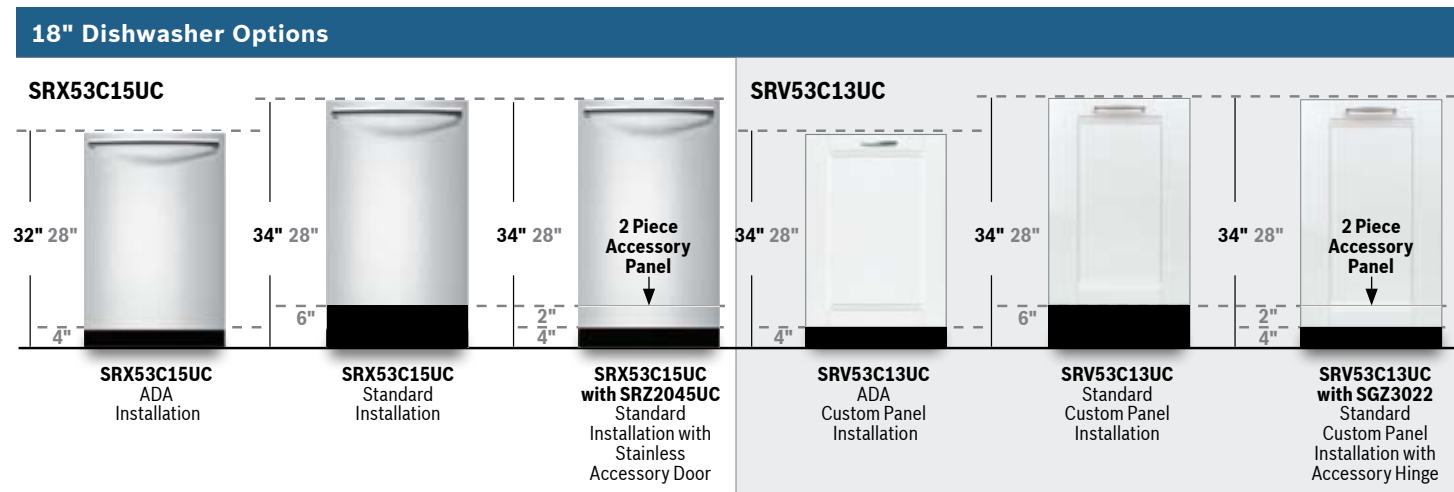
## Large capacity in a small space

Our 18" dishwashers offer large cleaning capacity in a small space. They hold nine place settings. Dishwashers can be ordered stainless or custom panel ready, and fit both U.S. and E.U. countertop and toekick heights. In addition, all of our 18" dishwashers meet ADA requirements.



# Planning for your 18" Dishwasher

Before installing a Bosch dishwasher, be sure to verify the cabinet dimensions, electrical connections and water connections. Always consult the installation manual included with the product for complete details before installing.



## What to consider when installing an 18" dishwasher

Bosch dishwashers are designed to be surrounded by standard residential kitchen cabinetry. If the dishwasher is to be installed in a corner, make sure that there is adequate clearance of 25" to open the door.

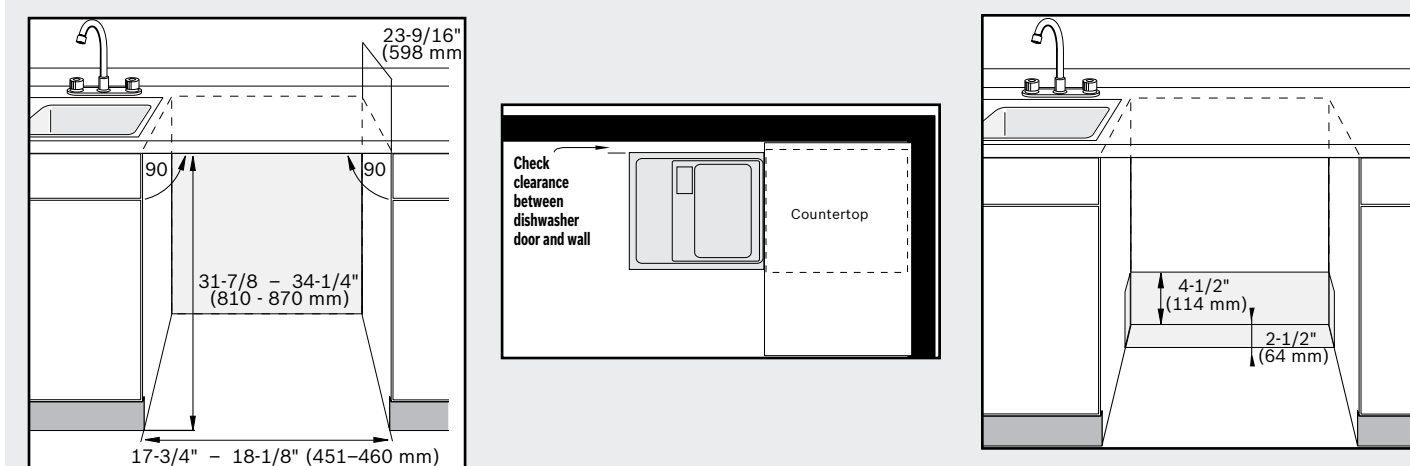
**- For 18" dishwashers, the opening should be at least 31 7/8" High and 17 3/4" Wide.**

Note: As all installations are different, please verify dimensions for your specific project.

## Water and electrical locations

For proper dishwasher operation and appearance, ensure the enclosure is square and the openings allow for passage of water, drain and electrical line. Select a location as close to the sink as possible for easy access to water supply and drain lines. In order to avoid interference with the dishwasher when sliding it into the cabinet, place your openings within the dimensions shown. Plumbing and electrical supply hoses must attach to the dishwasher within the shaded area.

Note: Plumbing installations will vary – refer to local codes. The maximum length of the drain hose, including hose leading to air gap (if any) is 150" (3810 mm). Ensure a portion of the drain hose is raised at least 20" (508 mm) above the floor to ensure proper draining.



### Required Openings:

- 4 1/4" x 2" (108 x 52 mm) – To pass the included electrical supply junction box through to an adjacent cabinet
- 3" x 1 3/4" (76 x 45 mm) – To pass the included water supply line toward the water supply
- 1 1/4" (32 mm) diameter – To pass the dishwasher drain hose toward the drain connection

### Note:

If the incoming electric supply, water supply and drain connections are all in the same cabinet, the one 4 1/4" x 2" (108 x 52 mm) hole will be large enough for all three to pass through.

### The electrical supply can be connected in one of two ways:

1. Use the included three prong plug and junction box to connect to a dedicated household receptacle.
2. Permanently connect to household or field wiring

# 18" dishwashers

Model shown: SRX53C15UC



SRX53C15UC & SRV53C13UC	
<b>Appearance</b>	<ul style="list-style-type: none"> <li>- Stainless Steel EuroTub</li> <li>- Five Wash Cycles and One Option</li> <li>- ADA Compliant for Lower Countertop Installation</li> </ul>
<b>Quietness</b>	<ul style="list-style-type: none"> <li>- Virtually Silent: 49 dBA</li> <li>- Solid Base Contains Sound and Prevents Leaks</li> </ul>
<b>Efficiency</b>	<ul style="list-style-type: none"> <li>- 306 kWh/yr-ENERGY STAR® Qualified</li> <li>- Uses only 2.98 gallons of water per load</li> <li>- Exceeds ENERGY STAR Requirements by 6% for Energy and 101% for Water</li> <li>- EcoSense™ Reduces Energy Usage up to 20%</li> </ul>
<b>Safety</b>	<ul style="list-style-type: none"> <li>- AquaStop® Leak Protection</li> </ul>
<b>Capacity</b>	<ul style="list-style-type: none"> <li>- 9 Place Setting Capacity</li> <li>- Premium Racks with Flexible Silverware Basket</li> <li>- RackMatic® Automatically Adjustable Upper Rack</li> </ul>
<b>Convenience</b>	<ul style="list-style-type: none"> <li>- Multi-Function LED with Remaining Time</li> <li>- 19 Hour Delay Start Timer</li> <li>- Quick Wash-In 35 Minutes or Less</li> </ul>

Model shown: SRV53C13UC



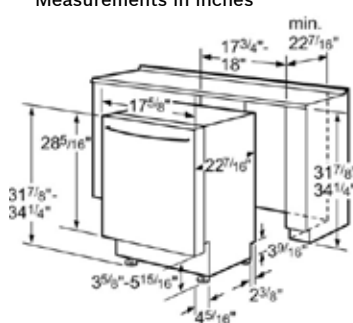
Specifications	
<b>Product Width</b>	17 5/8"
<b>Product Height</b>	31 7/8" - 34 1/4"
<b>Product Depth</b>	22 7/16" (SS)* 21 5/8" (CP)*
<b>Door Clearance</b>	25"
<b>Cutout Width (Min.)</b>	17 3/4" - 18"
<b>Cutout Height (Min.)</b>	31 7/8" - 34 1/4"
<b>Cutout Depth (Min.)</b>	22 7/16"
<b>Variable Height</b>	1 1/8"
<b>Total Amps</b>	12
<b>Electrical Supply</b>	120 V/60 Hz
<b>Required Circuit Breaker</b>	15 Amp
<b>Power Cord</b>	Purchased Separately
<b>Water Hose</b>	Purchased Separately
<b>Max. Temp. for Water Intake</b>	120° F
<b>Length Outlet Hose</b>	150"
<b>Shipping Weight (lbs.)</b>	125

\* (SS) Stainless Steel (CP) Custom Panel

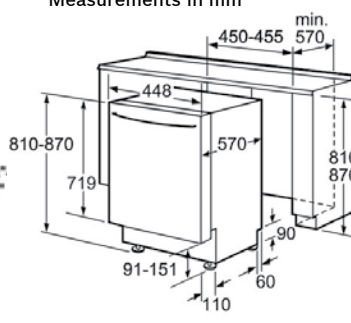
## Dishwasher dimensions

### SRX53C15UC

Measurements in inches

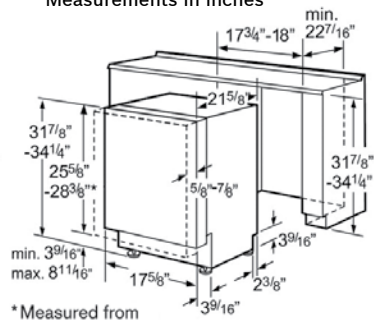


Measurements in mm



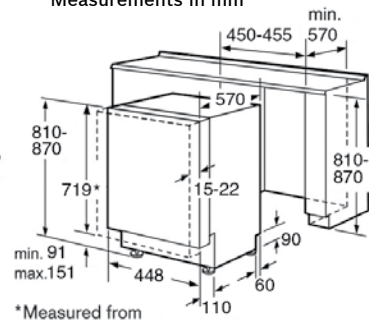
### SRV53C13UC

Measurements in inches



\* Measured from the lower edge of the worktop. Recommended panel thickness 3/4"

Measurements in mm



\* Measured from the lower edge of the worktop. Recommended panel thickness = 19 mm.

# ADA Dishwashers

Bosch's ADA dishwashers are uniquely designed for customers with special height requirements.

Bosch's ADA dishwashers are among the most flexible we have to offer. These dishwashers offer a large load capacity while featuring shorter tub dimensions that allow for easy installation. Install for traditional ADA use or at a higher position for a 6 1/2" toekick that allows for a polished European look. This easily integrates into residential and commercial kitchens.

