

MICROWAVE OVEN BUILT-IN TRIM KIT INSTALLATION INSTRUCTIONS

Built-In Trim Kit Models MK2167, MK2160

UL listed for use over any electric or gas built-in oven, up to 30" (76.2 cm) wide

INSTRUCTIONS D'INSTALLATION GARNITURE ENCASTRÉE POUR FOUR À MICRO-ONDES

Garniture encastrée pour modèles MK2167, MK2160

Homologation UL pour utilisation au-dessus de tous les fours encastrés électriques ou gaz, jusqu'à 30" (76,2 cm) de largeur

Table of Contents / Table des matières

MICROWAVE OVEN SAFETY	1	SÉCURITÉ DU FOUR À MICRO-ONDES	7
INSTALLATION INSTRUCTIONS	2	INSTRUCTIONS D'INSTALLATION	7
Tools and Parts	2	Outillage et pièces	7
Location Requirements	2	Exigences d'emplacement.....	7
Required Cutout Dimensions.....	2	Dimensions nécessaires de l'ouverture d'encastrement.....	8
Trim Kit Frame Dimensions.....	3	Dimensions du cadre de la trousse de garniture.....	8
Electrical Requirements	3	Spécifications électriques	9
Prepare Microwave Oven.....	3	Préparation du four à micro-ondes.....	9
Prepare Cutout/Cabinet Opening.....	4	Préparation de l'ouverture d'encastrement	10
Install the Microwave Oven.....	5	Installation du four à micro-ondes	11
Install Trim Kit Frame	6	Installation du cadre de la trousse de garniture	12

MICROWAVE OVEN SAFETY

Your safety and the safety of others are very important.

We have provided many important safety messages in this manual and on your appliance. Always read and obey all safety messages.



This is the safety alert symbol.

This symbol alerts you to potential hazards that can kill or hurt you and others.

All safety messages will follow the safety alert symbol and either the word "DANGER" or "WARNING."

These words mean:

⚠ DANGER

You can be killed or seriously injured if you don't immediately follow instructions.

⚠ WARNING

You can be killed or seriously injured if you don't follow instructions.

All safety messages will tell you what the potential hazard is, tell you how to reduce the chance of injury, and tell you what can happen if the instructions are not followed.

INSTALLATION INSTRUCTIONS

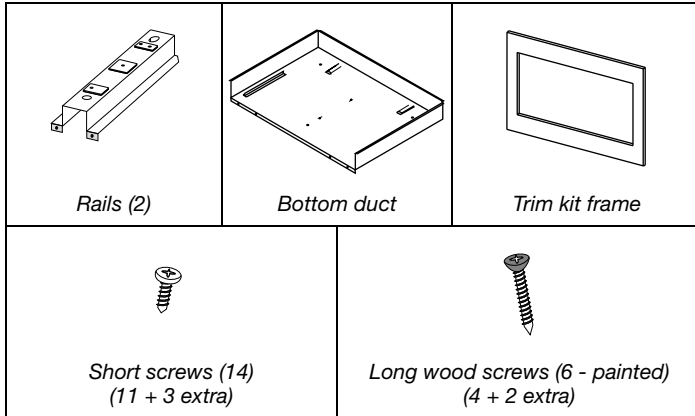
Tools and Parts

Tools Needed

Gather the required tools and parts before starting installation. Read and follow the instructions provided with any tools listed here.

- Measuring tape
- Drill
- Pencil
- 7/64" drill bit
- Phillips screwdriver

Parts Supplied (not shown to scale)

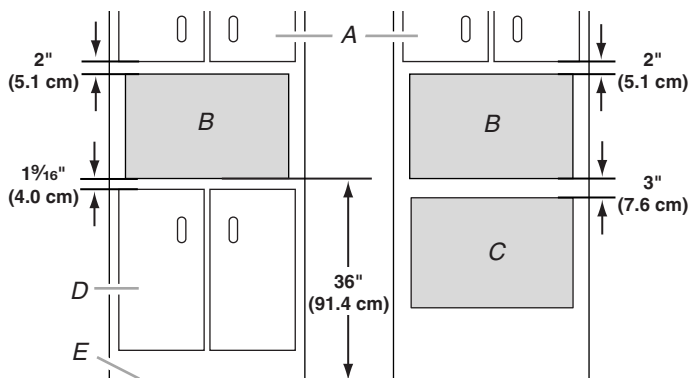


Location Requirements

The microwave oven may be installed over a built-in oven. If installing over a built-in oven, make sure there is a minimum of 3" (7.6 cm) between the top of the lower oven cutout and the microwave oven cutout floor.

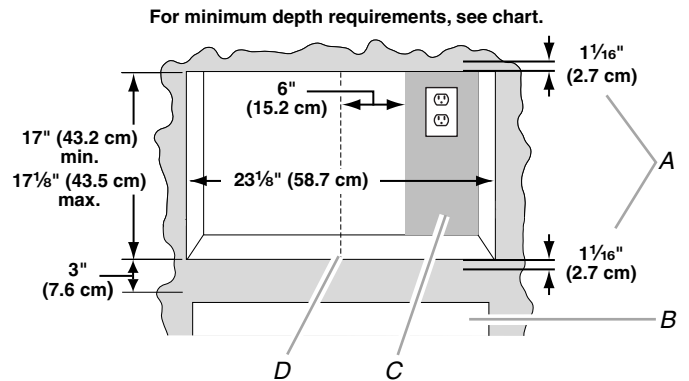
The microwave oven may also be installed in a cabinet by itself (without a built-in oven below). For best usability, we recommend a minimum distance of 36" (91.4 cm) from the floor to the cutout floor.

Make sure the surrounding cabinetry has clearance to open and close freely. Allow a clearance of at least 1⁹/₁₆" (4.0 cm) below the cutout floor (3" [7.6 cm] for installation above a built-in oven), and a clearance of at least 2" (5.1 cm) above the cutout opening.



- A. Upper cabinet
- B. Microwave oven cutout
- C. Lower oven cutout
- D. Lower cabinets
- E. Floor

Required Cutout Dimensions



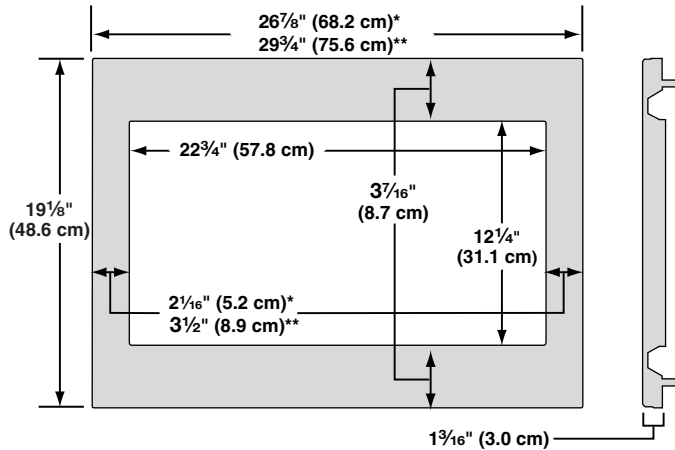
- A. Trim kit frame overhang
- B. Cutout for lower oven
- C. Recommended region for receptacle location (no less than 6" [15.2 cm] to the right of cutout centerline)
- D. Cutout centerline

Receptacle Location	Minimum Depth
Within recommended region	18" (45.7 cm) with flush receptacle; 21" (53.2 cm) with non-flush receptacle
Outside recommended region	19 ¹ / ₂ " (49.5 cm) with flush receptacle; 22 ¹ / ₂ " (57.2 cm) with non-flush receptacle

NOTES:

- Depth requirements depend upon receptacle and its location within or outside of recommended region. See illustration and chart above.
- Height dimension is critical: 17" (43.2 cm) minimum, 17¹/₈" (43.5 cm) maximum.
- Width measurement has ±1/16" (2 mm) tolerance.
- 3" (7.6 cm) minimum dimension is from lower oven cutout ceiling to microwave oven cutout floor.
- Trim kit frame extends 1⁹/₁₆" (2.7 cm) above and below the cutout opening.

Trim Kit Frame Dimensions



*27" (68.6 cm) trim kit

**30" (76.2 cm) trim kit

Electrical Requirements

⚠ WARNING



Electrical Shock Hazard

Plug into a grounded 3 prong outlet.

Do not remove ground prong.

Do not use an adapter.

Do not use an extension cord.

Failure to follow these instructions can result in death, fire, or electrical shock.

Observe all governing codes and ordinances.

Required:

- A 120 volt, 60 Hz, AC only, 15- or 20-amp electrical supply with a fuse or circuit breaker.

Recommended:

- A time-delay fuse or time-delay circuit breaker.
- A separate circuit serving only this microwave oven.

GROUNDING INSTRUCTIONS

■ For all cord connected appliances:

The microwave oven must be grounded. In the event of an electrical short circuit, grounding reduces the risk of electric shock by providing an escape wire for the electric current. The microwave oven is equipped with a cord having a grounding wire with a grounding plug. The plug must be plugged into an outlet that is properly installed and grounded.

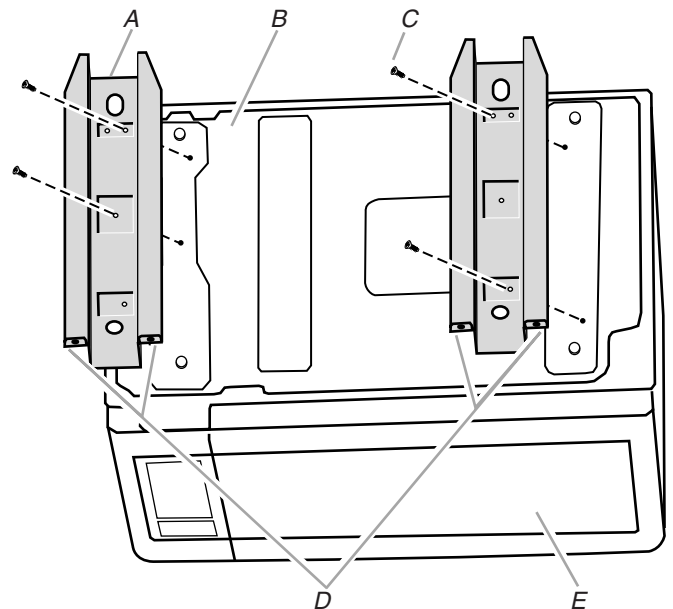
WARNING: Improper use of the grounding plug can result in a risk of electric shock. Consult a qualified electrician or serviceman if the grounding instructions are not completely understood, or if doubt exists as to whether the microwave oven is properly grounded.

Do not use an extension cord. If the power supply cord is too short, have a qualified electrician or serviceman install an outlet near the microwave oven.

SAVE THESE INSTRUCTIONS

Prepare Microwave Oven

1. Unplug microwave oven before proceeding with installation.
2. Remove any loose items inside microwave oven.
3. Gently turn microwave oven onto its top, with the door facing forward (toward installer).
4. Align the two rails on the microwave oven bottom, as shown, making sure the flanges are forward and pointing up.



A. Rails (2)

B. Microwave oven bottom

C. Short screws (4)

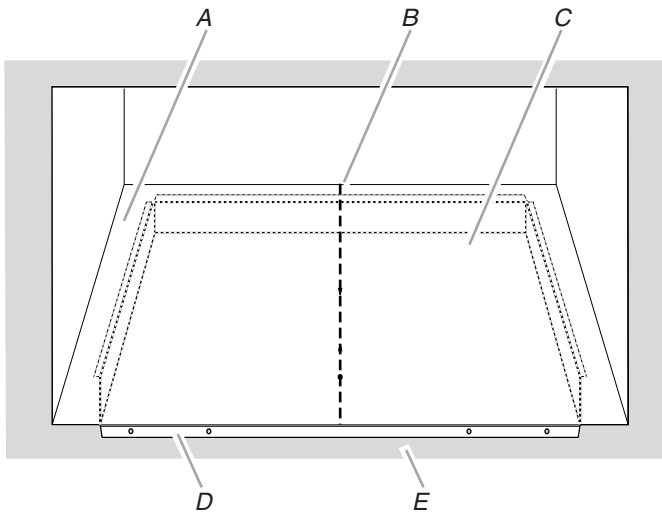
D. Flanges

E. Door

5. Secure the rails to the microwave oven bottom using four short screws.

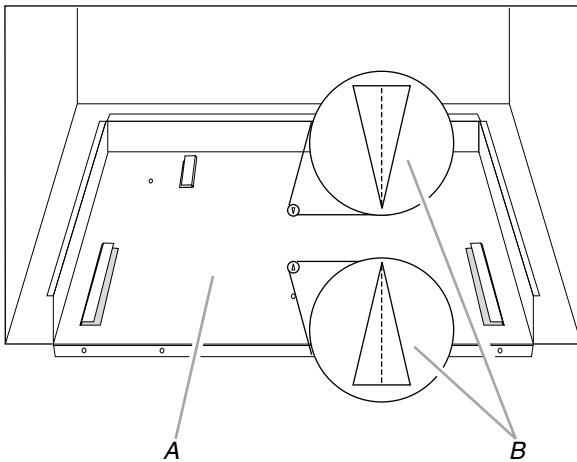
Prepare Cutout/Cabinet Opening

1. On the cutout floor, find and mark the centerline.
2. Place the bottom duct in the opening, with the flange resting against the bottom front facing of the opening.



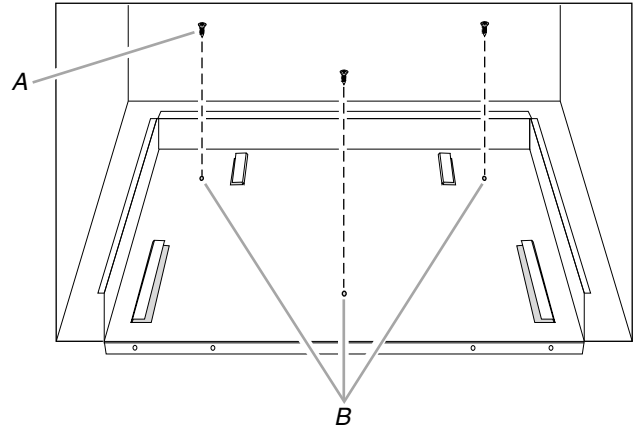
A. Cutout floor
B. Centerline
C. Bottom duct
D. Bottom duct flange
E. Front facing

3. Align the center arrows on the bottom duct with the centerline drawn in Step 1 above.



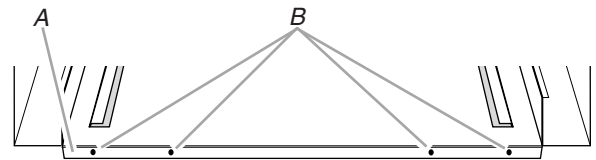
A. Bottom duct
B. Center arrows, aligned with centerline

4. Mark the three mounting holes through the bottom duct onto the cutout floor.



A. Short screws (3)
B. Bottom duct mounting holes

5. Using 7/64" drill, drill pilot holes into the three holes marked in Step 4.
6. Realign and install the bottom duct with three short screws.
7. Using 7/64" drill, drill pilot holes through the four mounting holes of the bottom duct flange into the bottom front facing of the cutout/cabinet opening.




A. Bottom duct flange
B. Mounting holes

Install the Microwave Oven

1. Gently return microwave oven to its upright position.
2. Position microwave oven near cutout opening.

6. Secure the microwave oven to the cutout/cabinet by installing four short screws into the mounting holes.

⚠ WARNING



Electrical Shock Hazard

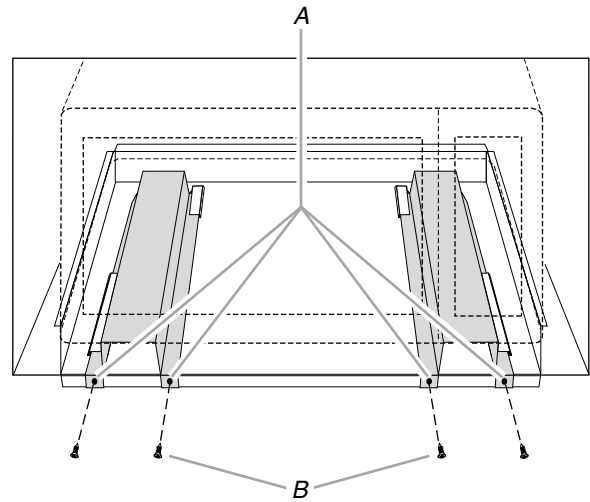
Plug into a grounded 3 prong outlet.

Do not remove ground prong.

Do not use an adapter.

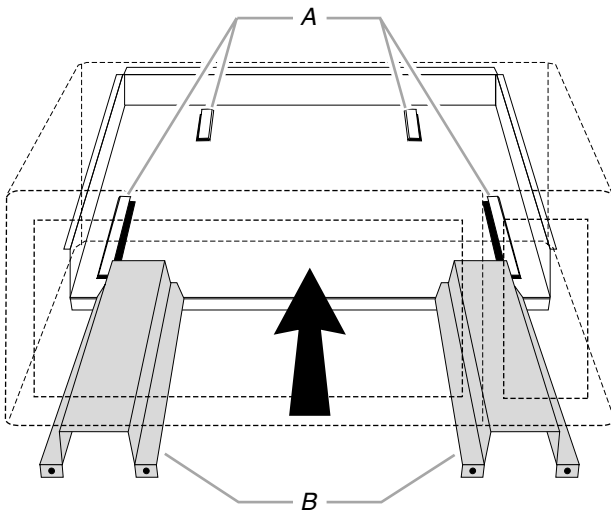
Do not use an extension cord.

Failure to follow these instructions can result in death, fire, or electrical shock.



A. Mounting holes
B. Short screws (4)

3. Plug in microwave oven.
4. Align the rails with the rail guides on the bottom duct.



A. Rail guides
B. Rails

5. Slide the microwave oven back and into place. The mounting holes of the rail flanges and bottom duct flange will align against the bottom front facing of the cutout/cabinet opening.